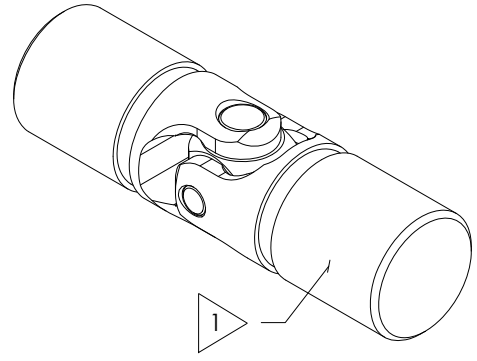


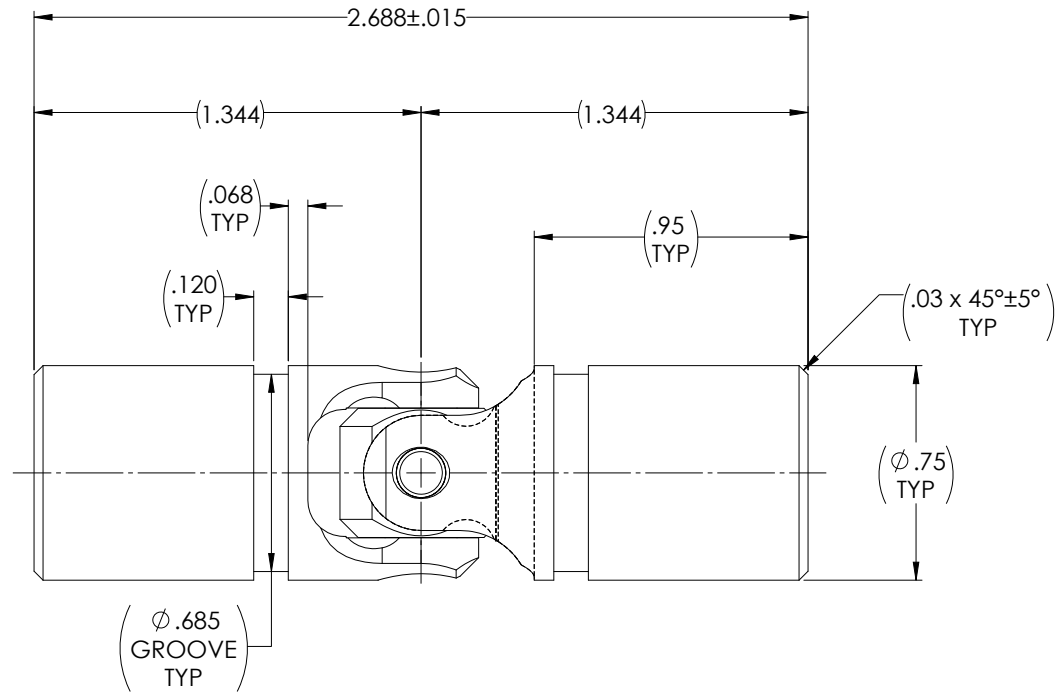
APPROVED

REVISIONS			
ZONE	REV.	DESCRIPTION	DATE

FOR REFERENCE ONLY



SCALE 2 : 1



NOTE(s), UNLESS OTHERWISE SPECIFIED.

1 MARK ASSEMBLY w/ "BELDEN" LOGO, PART NUMBER, REVISION LEVEL, DATE OF MANUFACTURE (MO/YR) & BELDEN JOB No.

(2) LUBRICATE UNIVERSAL JOINT w/ LUBRIPLATE No. 1200-2, NLGI GRADE 2, AW/EP, LITHIUM GREASE OR EQUIVALENT.

(3) REF., MATERIAL: TYPE 316/316L STAINLESS STEEL.

(4) MAXIMUM OPERATING ANGLE: 45°.

DO NOT SCALE DRAWING

UNLESS OTHERWISE SPECIFIED CHAMFER ALL HOLES BREAK ALL SHARP CORNERS DE-BURR ALL FEATURES TURNED SURFACES: $\sqrt{32}$ MILLED SURFACES: $\sqrt{125}$ PROPRIETARY AND CONFIDENTIAL THE INFORMATION CONTAINED IN THIS DRAWING IS THE SOLE PROPERTY OF BELDEN UNIVERSAL. ANY REPRODUCTION IN PART OR AS A WHOLE WITHOUT THE WRITTEN PERMISSION OF BELDEN UNIVERSAL IS PROHIBITED.	STANDARD TOLERANCES, UNLESS OTHERWISE SPECIFIED DIMENSIONS ARE IN INCHES [mm] ANGULAR MACHINED: ±1.0° FRACTIONAL: ±.015 TWO PLACE DECIMAL: ±.010 THREE PLACE DECIMAL: ±.005 FOUR PLACE DECIMAL: ±.0005 CONCENTRICITY: .0025 T.I.R. ALL HOLES TO BE LOCATED ON CENTERLINE (C) WITHIN .005" T.I.R. INTERPRET GEOMETRIC TOLERANCES I.A.W. ASME Y14.5	MATERIAL STAINLESS STEEL	HEAT TREAT NONE	FINISH NONE	DRAWN JP 20MAY24	INITIALS RNK	DATE 08/12/2024	Belden Universal www.beldenuniversal.com TITLE: ASSEMBLY, UNIVERSAL JOINT	
					CHECKED RNK	ENG APPR. RNK	MFG APPR. []		QC APPR. []
					COMMENTS: []				
					SIZE A	DWG. NO. UJ-SS750-316x00	REV []		

SCALE: 3:1 WT (Lbs): 0.297 SHEET 1 OF 2