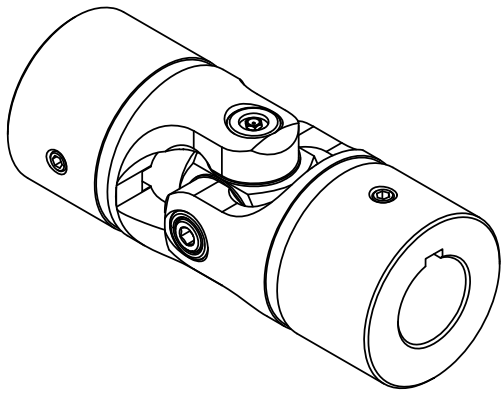
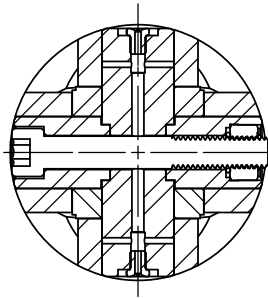


REVISIONS				
ZONE	REV.	DESCRIPTION	DATE	APPROVED



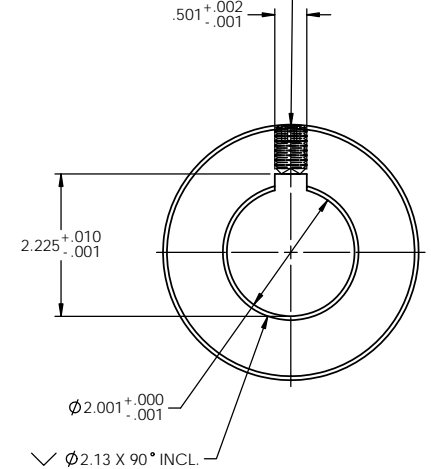
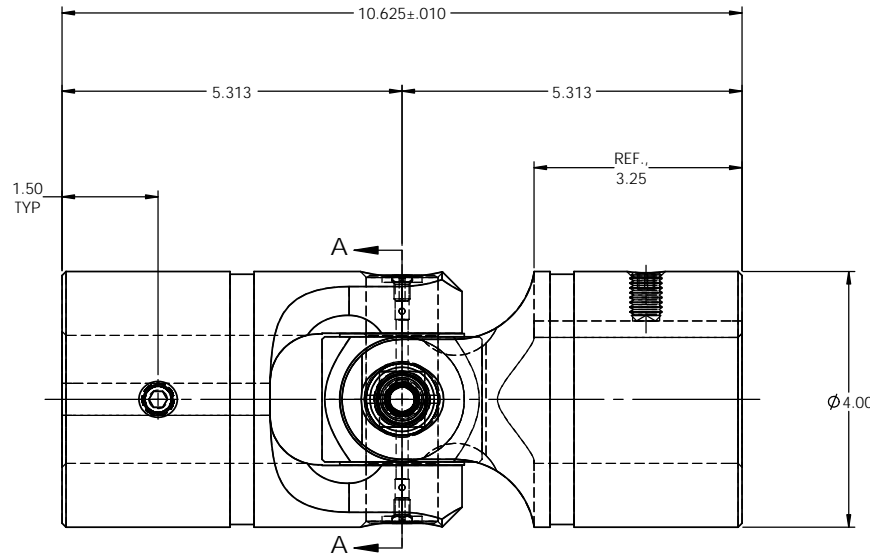
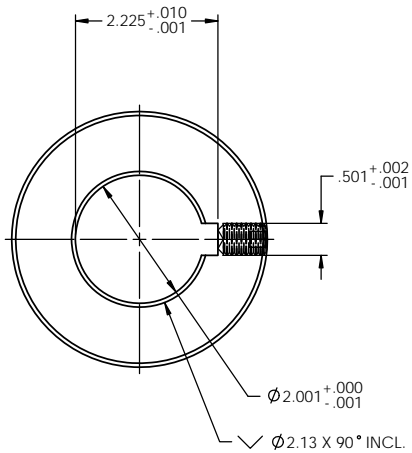
SCALE 1 : 2



SECTION A-A

INFORMATION IN THIS DRAWING PROVIDED FOR REFERENCE ONLY

SOC. SET SCREW, 1/2-13 x 3/4, CUP POINT, 18-8 STAINLESS ST'L



BELDEN PART NUMBER: UJ-SS4000x2000K

NOTE(S), UNLESS OTHERWISE SPECIFIED.

- UNIVERSAL JOINT IS MARKED w/ "BELDEN" LOGO, PART NUMBER / DRAWING NUMBER, REVISION LEVEL (IF ANY), DATE OF MANUFACTURE (MO/YR), AND BELDEN JOB NUMBER.
- UNIVERSAL JOINT IS LUBRICATED w/ LUBRIPLATE 1200-2, NLGI GRADE 2, AW/EP, LITHIUM GREASE OR EQUIVALENT.
- UNIVERSAL JOINT IS CAPABLE OF OPERATING AT ANY ANGLE UP TO AND INCLUDING 45°, 90° FOR THE DOUBLE UNIVERSAL JOINT.
- UNIVERSAL JOINT HAS STANDARD GROOVES TO ACCEPT INSTALLATION OF PROTECTIVE COVERS (BOOTS). BOOTS AVAILABLE SEPARATELY. REFER TO BELDEN CATALOG, WEBSITE, OR CONTACT BELDEN SALES.
- REFER TO BELDEN CATALOG, WEBSITE, OR CONTACT BELDEN SALES FOR TORQUE CAPACITY.
- THIS DRAWING REPRESENTS A STANDARD BELDEN ITEM. CUSTOM UNIVERSAL JOINTS ARE AVAILABLE UPON REQUEST. PLEASE CONTACT BELDEN SALES.

DO NOT SCALE DRAWING

UNLESS OTHERWISE SPECIFIED CHAMFER ALL HOLES BREAK ALL SHARP CORNERS DE-BURR ALL FEATURES TURNED SURFACES: $\sqrt{63}$ MILLED SURFACES: $\sqrt{125}$ PROPRIETARY AND CONFIDENTIAL THE INFORMATION CONTAINED IN THIS DRAWING IS THE SOLE PROPERTY OF BELDEN INCORPORATED. ANY REPRODUCTION IN PART OR AS A WHOLE WITHOUT THE WRITTEN PERMISSION OF BELDEN INCORPORATED IS PROHIBITED.	STANDARD TOLERANCES, UNLESS OTHERWISE SPECIFIED DIMENSIONS ARE IN INCHES [mm]	MATERIAL: STAINLESS STEEL HEAT TREAT: NONE FINISH: NONE	INITIALS: JP DATE: 14 OCT 15	Belden Incorporated www.beldenuniversal.com	
	ANGULAR MACHINED: $\pm 1.0^\circ$ FRACTIONAL: ± 0.15 TWO PLACE DECIMAL: ± 0.10 THREE PLACE DECIMAL: ± 0.05 FOUR PLACE DECIMAL: ± 0.005 CONCENTRICITY: 0.0025 TLR	ALL HOLES TO BE LOCATED ON CENTERLINE (C) WITHIN .005" TLR INTERPRET GEOMETRIC TOLERANCES I.A.W. ASME Y14.5	CHECKED: RNK DATE: 10/15/2015	TITLE: ASSEMBLY, UNIVERSAL JOINT	SIZE: C DWG. NO.: UJ-SS4000x2000K
	DRAWN: RNK DATE: 10/15/2015	COMMENTS:	ENG APPR: RNK DATE: 10/16/2015	SCALE: 2:3 WT (Lbs): 25.776 SHEET 1 OF 2	REV:
	QUALITY APPR:	FINISH:	DATE:	DATE:	DATE: