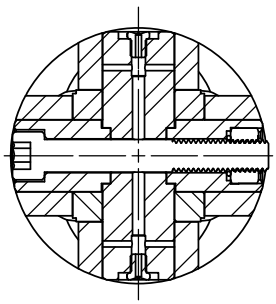
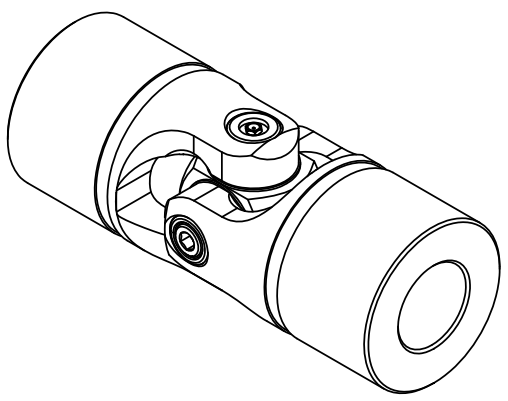
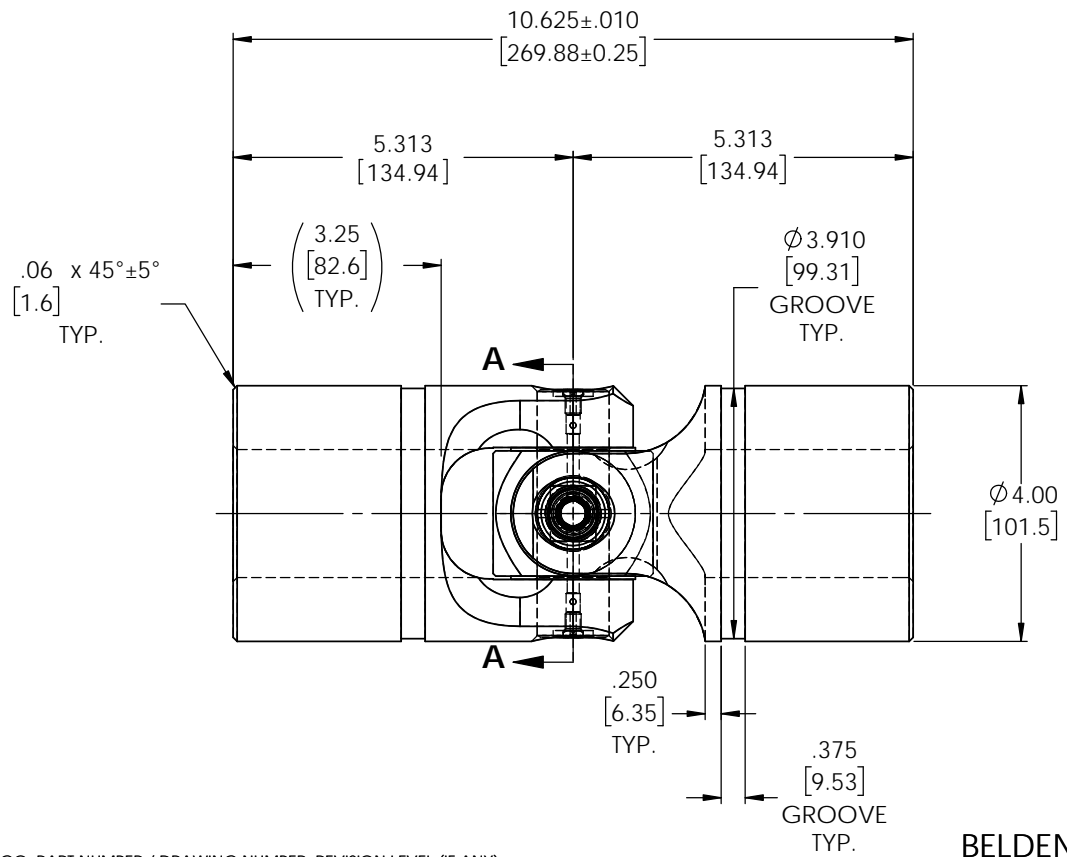


REVISIONS				
ZONE	REV.	DESCRIPTION	DATE	APPROVED

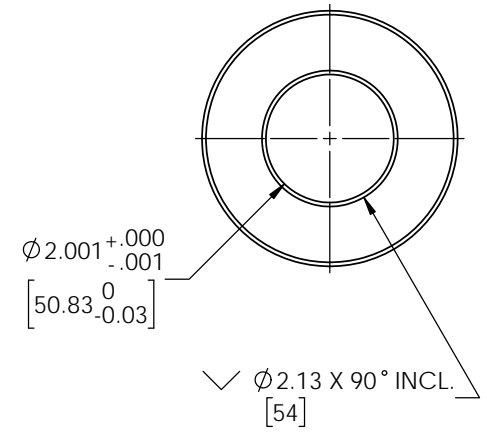


SECTION A-A

INFORMATION IN THIS DRAWING PROVIDED FOR REFERENCE ONLY



TYPICAL BOTH ENDS



NOTE(S), UNLESS OTHERWISE SPECIFIED.

- UNIVERSAL JOINT IS MARKED w/ "BELDEN" LOGO, PART NUMBER / DRAWING NUMBER, REVISION LEVEL (IF ANY), DATE OF MANUFACTURE (MO/YR), AND BELDEN JOB NUMBER.
- UNIVERSAL JOINT IS LUBRICATED w/ LUBRIPLATE 1200-2, NLGI GRADE 2, AW/EP, LITHIUM GREASE OR EQUIVALENT.
- UNIVERSAL JOINT IS CAPABLE OF OPERATING AT ANY ANGLE UP TO AND INCLUDING 45°, 90° FOR THE DOUBLE UNIVERSAL JOINT.
- UNIVERSAL JOINT HAS STANDARD GROOVES TO ACCEPT INSTALLATION OF PROTECTIVE COVERS (BOOTS). BOOTS AVAILABLE SEPARATELY. REFER TO BELDEN CATALOG, WEBSITE, OR CONTACT BELDEN SALES.
- REFER TO BELDEN CATALOG, WEBSITE, OR CONTACT BELDEN SALES FOR TORQUE CAPACITY.
- THIS DRAWING REPRESENTS A STANDARD BELDEN ITEM. CUSTOM UNIVERSAL JOINTS ARE AVAILABLE UPON REQUEST. PLEASE CONTACT BELDEN SALES.

BELDEN PART NUMBER: UJ-SS4000x2000

DO NOT SCALE DRAWING

UNLESS OTHERWISE SPECIFIED CHAMFER ALL HOLES BREAK ALL SHARP CORNERS DE-BURR ALL FEATURES TURNED SURFACES: $\sqrt{63}$ MILLED SURFACES: $\sqrt{125}$ PROPRIETARY AND CONFIDENTIAL THE INFORMATION CONTAINED IN THIS DRAWING IS THE SOLE PROPERTY OF BELDEN UNIVERSAL. ANY REPRODUCTION IN PART OR AS A WHOLE WITHOUT THE WRITTEN PERMISSION OF BELDEN UNIVERSAL IS PROHIBITED.	STANDARD TOLERANCES, UNLESS OTHERWISE SPECIFIED DIMENSIONS ARE IN INCHES [mm]	MATERIAL: STAINLESS STEEL HEAT TREAT: NONE FINISH: NONE	INITIALS: AJH DATE: 23JUL18	Belden Incorporated <a href="http://www.beldenuniversal.com">www.beldenuniversal.com</a>	
	ANGULAR MACHINED: ±1.0° FRACTIONAL: ±.015" TWO PLACE DECIMAL: ±.010" THREE PLACE DECIMAL: ±.005" FOUR PLACE DECIMAL: ±.0005" CONCENTRICITY: .0025" TLR	ALL HOLES TO BE LOCATED ON CENTERLINE (C) WITHIN .005" TLR INTERPRET GEOMETRIC TOLERANCES I.A.W. ASME Y14.5	COMMENTS:	TITLE: ASSEMBLY, UNIVERSAL JOINT	SIZE: A DWG. NO.: UJ-SS4000x2000 SCALE: 2:3 WT (Lbs): 26.001 SHEET 1 OF 2
	DRAWN: AJH CHECKED: JP ENG APPR: MFG APPR: QC APPR:	INITIALS: JP DATE: 07/24/2018	REV:	REV:	
	FORM S.W.A. 5-10		2	1	