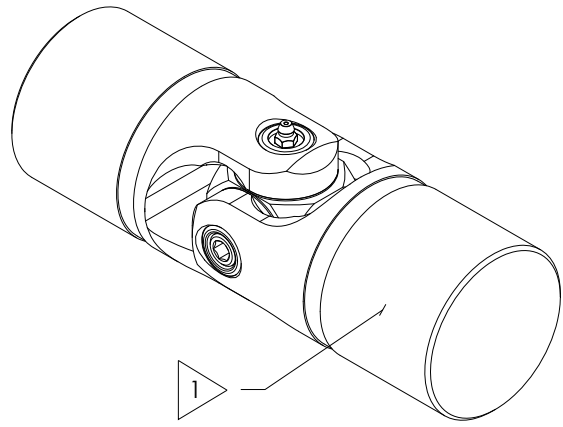
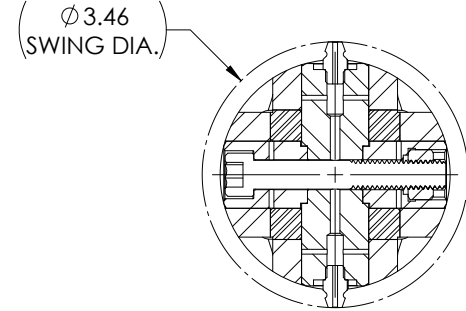


**APPROVED
FOR
REFERENCE
ONLY**

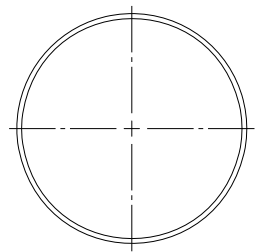
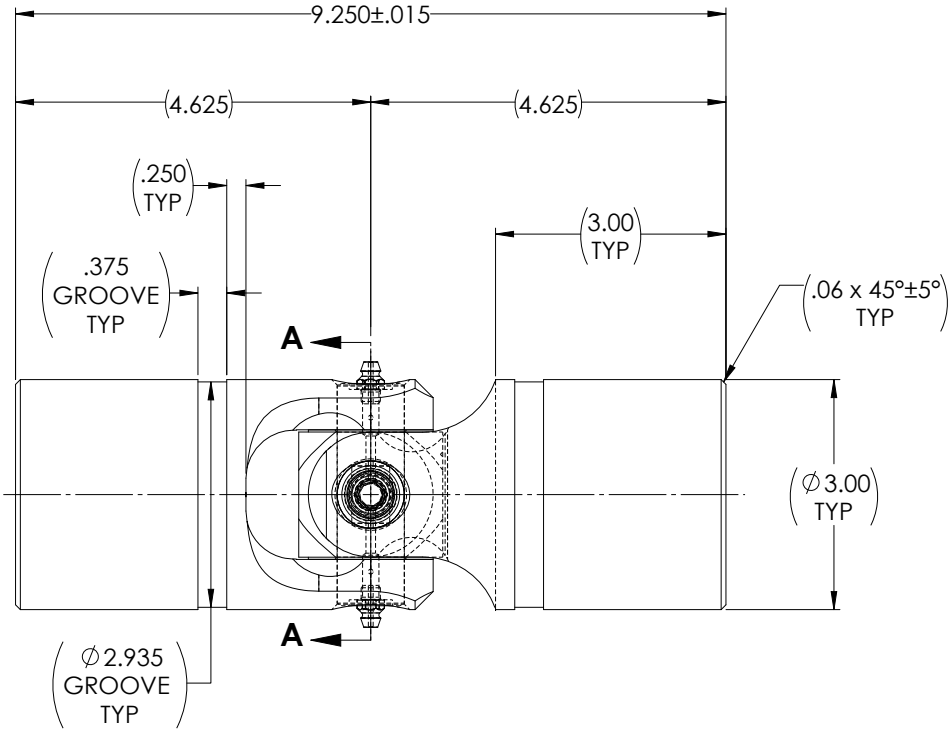
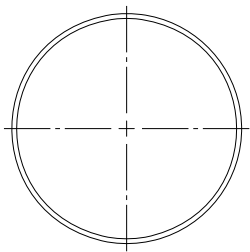
REVISIONS				
ZONE	REV.	DESCRIPTION	DATE	APPROVED



SCALE 1 : 1.5



SECTION A-A



NOTE(s), UNLESS OTHERWISE SPECIFIED.

- 1 MARK ASSEMBLY w/ "BELDEN" LOGO, PART NUMBER, REVISION LEVEL, DATE OF MANUFACTURE (MO/YR) & BELDEN JOB No.
- 2 TORQUE Ø 3/8-16 SOCKET HEAD CAP SCREW TO 25 FT-LB.
- (3) LUBRICATE WITH LUBRIPLATE® PRODUCT No. 1200-2 NLGI GRADE 2, AW/EP, LITHIUM GREASE.
- (4) REFERENCE, MAXIMUM OPERATING ANGLE: 45°.
- (5) REF., MATERIAL: YOKES, BLOCK & PINS... TYPE 316/316L STAINLESS STEEL, FASTENERS...TYPE 316 STAINLESS STEEL, LUBRICATION FITTING(S)... TYPE 316 STAINLESS STEEL or MONEL.

DO NOT SCALE DRAWING

UNLESS OTHERWISE SPECIFIED CHAMFER ALL HOLES BREAK ALL SHARP CORNERS DE-BURR ALL FEATURES TURNED SURFACES: $\sqrt{63}$ MILLED SURFACES: $\sqrt{125}$ PROPRIETARY AND CONFIDENTIAL THE INFORMATION CONTAINED IN THIS DRAWING IS THE SOLE PROPERTY OF BELDEN UNIVERSAL. ANY REPRODUCTION IN PART OR AS A WHOLE WITHOUT THE WRITTEN PERMISSION OF BELDEN UNIVERSAL IS PROHIBITED.	STANDARD TOLERANCES, UNLESS OTHERWISE SPECIFIED DIMENSIONS ARE IN INCHES [mm] ANGULAR MACHINED: ±1.0° FRACTIONAL: ±.015" TWO PLACE DECIMAL: ±.010" THREE PLACE DECIMAL: ±.005" FOUR PLACE DECIMAL: ±.0005" CONCENTRICITY: .0025" T.I.R.	MATERIAL: STAINLESS STEEL HEAT TREAT: NONE FINISH: NONE	INITIALS: JP DATE: 02OCT24 DRAWN: RNK CHECKED: RNK ENG APPR: RNK MFG APPR: QC APPR:	TITLE: ASSEMBLY, UNIVERSAL JOINT	
	ALL HOLES TO BE LOCATED ON CENTERLINE (C) WITHIN .005" T.I.R. INTERPRET GEOMETRIC TOLERANCES I.A.W. ASME Y14.5			COMMENTS:	SIZE: A DWG. NO.: UJ-SS3000-316x00 REV:
	SCALE: 1:1.25 WT (Lbs): 16.210 SHEET 1 OF 2				Belden Universal www.beldenuniversal.com
	FORM SW-A 5-18 8 UJ-SS3000-316x00.SLDDRW 10/9/2024 1:28 PM				