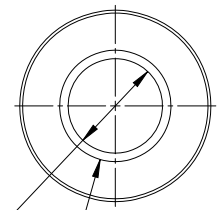
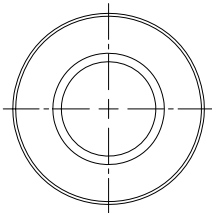
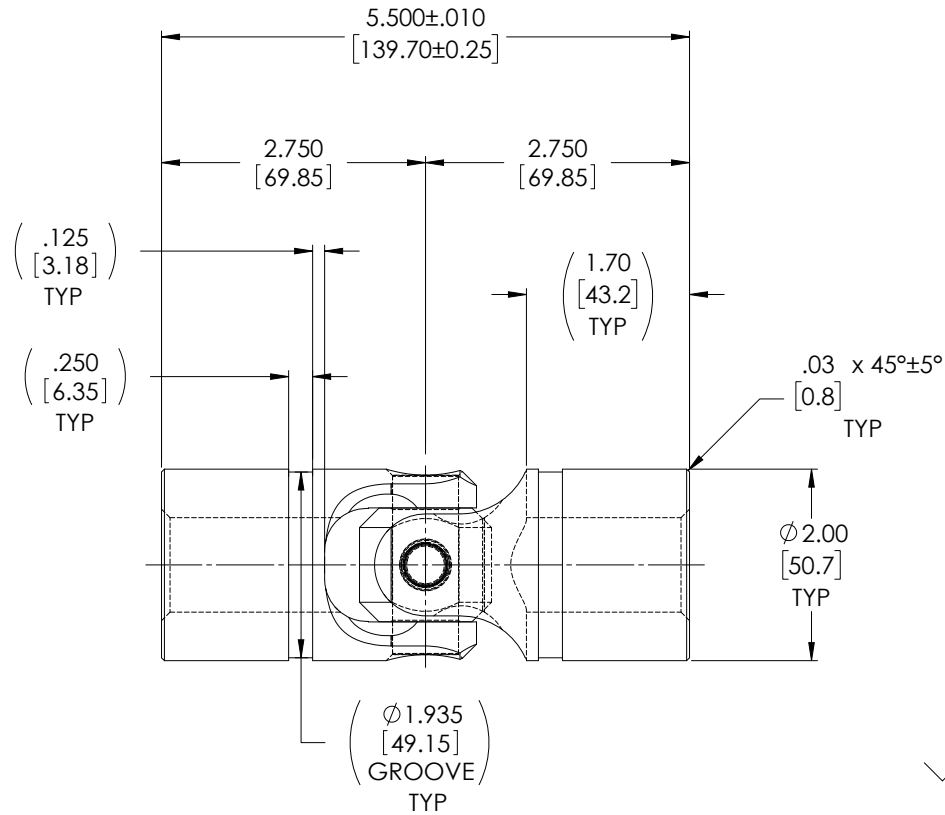
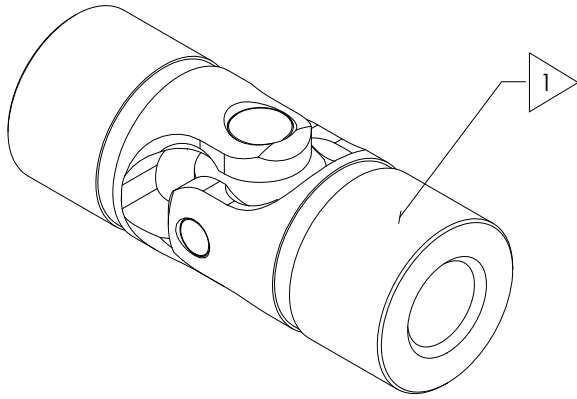


APPROVED

FOR REFERENCE ONLY

REVISIONS				
ZONE	REV.	DESCRIPTION	DATE	APPROVED
	A	INITIAL RELEASE	6/6/2019	JP



$\phi .9843^{+.0008}$
 $\begin{matrix} - .0000 \\ [25^{+0.021}] \\ 0 \end{matrix}$

$\checkmark \phi 1.16 \times 90^\circ \pm 10^\circ \text{ INCL.}$
 $[29.5]$

TYPICAL BOTH ENDS

NOTE(s), UNLESS OTHERWISE SPECIFIED.

1 MARK ASSEMBLY w/ "BELDEN" LOGO, PART NUMBER, REVISION LEVEL (IF ANY), DATE OF MANUFACTURE & BELDEN JOB No.

(2) LUBRICATE U-JOINT w/ LUBRIPLATE # 1200-2, NLGI GRADE 2, AW/EP, LITHIUM GREASE OR EQUIVALENT.

(3) REFERENCE, MATERIAL: YOKES... TYPE 303 STAINLESS STEEL, BLOCK & PINS... TYPE 416 STAINLESS STEEL, RETAINING RING... TYPE 302 STAINLESS STEEL.

(4) REF., MAXIMUM OPERATING ANGLE: 45°

DO NOT SCALE DRAWING

<small>UNLESS OTHERWISE SPECIFIED CHAMFER ALL HOLES BREAK ALL SHARP CORNERS DE-BURR ALL FEATURES</small> <small>TURNED SURFACES: $\sqrt{63}$</small> <small>MILLED SURFACES: $\sqrt{125}$</small> <small>PROPRIETARY AND CONFIDENTIAL</small> <small>THE INFORMATION CONTAINED IN THIS DRAWING IS THE SOLE PROPERTY OF BELDEN UNIVERSAL. ANY REPRODUCTION IN PART OR AS A WHOLE WITHOUT THE WRITTEN PERMISSION OF BELDEN UNIVERSAL IS PROHIBITED.</small>	<small>STANDARD TOLERANCES, UNLESS OTHERWISE SPECIFIED</small> <small>DIMENSIONS ARE IN INCHES [mm]</small> <small>ANGULAR MACHINED: $\pm 1.0^\circ$</small> <small>FRACTIONAL: $\pm .015$</small> <small>TWO PLACE DECIMAL: $\pm .010$</small> <small>THREE PLACE DECIMAL: $\pm .005$</small> <small>FOUR PLACE DECIMAL: $\pm .0005$</small> <small>CONCENTRICITY: $\pm .0025$ T.I.R.</small> <small>ALL HOLES TO BE LOCATED ON CENTERLINE (C) WITHIN .005" T.I.R.</small> <small>INTERPRET GEOMETRIC TOLERANCES I.A.W. ASME Y14.5</small>	<small>MATERIAL</small> STAINLESS STEEL <small>HEAT TREAT</small> <small>SEE DETAIL DRAWINGS</small> <small>FINISH</small> NONE	<small>DRAWN</small> JP	<small>DATE</small> 06JUN19	Belden Incorporated www.beldenuniversal.com <small>TITLE:</small> ASSEMBLY, UNIVERSAL JOINT
			<small>CHECKED</small> RNK	<small>DATE</small> 06/24/2019	
			<small>ENG APPR.</small> RNK	<small>DATE</small> 07/12/2019	
			<small>MFG APPR.</small> 		
<small>COMMENTS:</small>			<small>SIZE</small> A	<small>DWG. NO.</small> UJ-SS2000x25	<small>REV</small> A
			<small>SCALE: 1:1</small>	<small>WT (Lbs): 3.437</small>	<small>SHEET 1 OF 2</small>