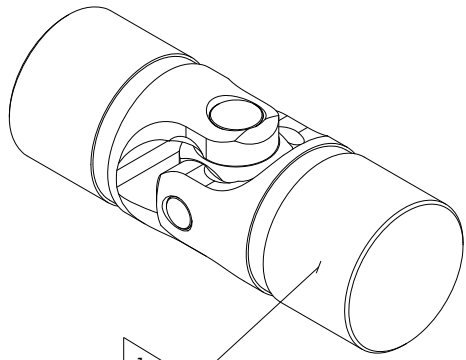


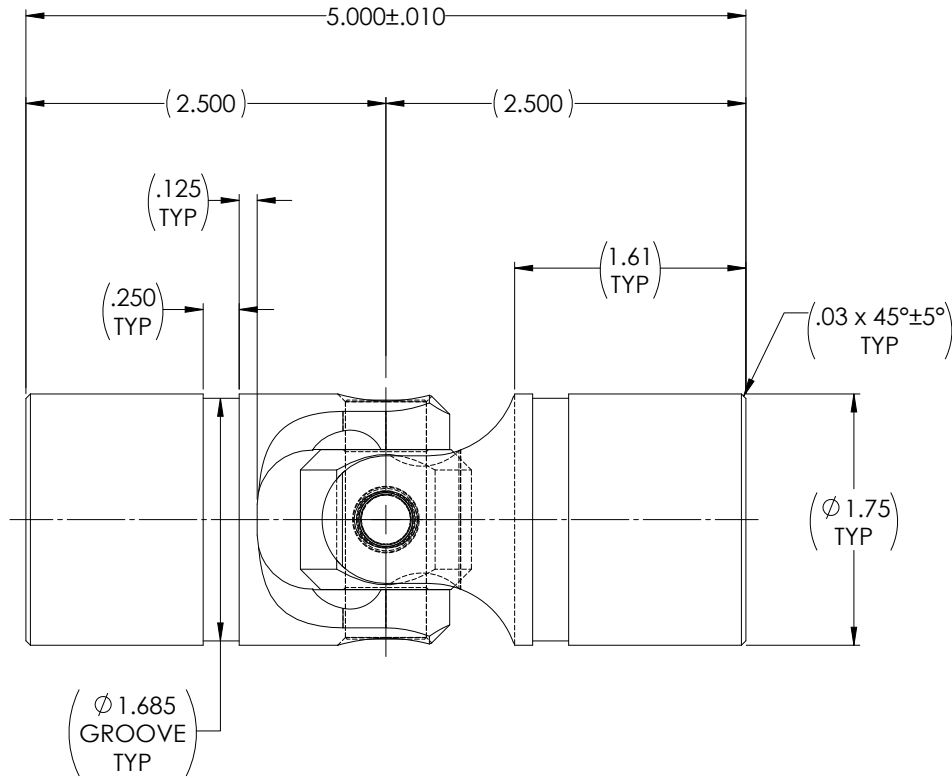
# APPROVED

| REVISIONS |      |             |      |
|-----------|------|-------------|------|
| ZONE      | REV. | DESCRIPTION | DATE |
|           |      |             |      |

## FOR REFERENCE ONLY



**SCALE 1 : 1**



NOTE(s), UNLESS OTHERWISE SPECIFIED.

1 MARK ASSEMBLY w/ "BELDEN" LOGO, PART NUMBER, REVISION LEVEL, DATE OF MANUFACTURE (MO/YR) & BELDEN JOB No.

(2) LUBRICATE U-JOINT w/ LUBRIPLATE # 1200-2, NLGI GRADE 2, AW/EP, LITHIUM GREASE OR EQUIVALENT.

(3) MATERIAL: TYPE 316/316L STAINLESS STEEL.

(4) REF., MAXIMUM OPERATING ANGLE:  $45^\circ$

DO NOT SCALE DRAWING

|  |   |  |           |          |            |  |
|--|---|--|-----------|----------|------------|--|
| UNLESS OTHERWISE SPECIFIED<br>CHAMFER ALL HOLES<br>BREAK ALL SHARP CORNERS<br>DE-BURR ALL FEATURES<br>TURNED SURFACES: $\sqrt{63}$<br>FRACTIONAL: $\pm 0.015$<br>TWO PLACE DECIMAL: $\pm 0.010$<br>THREE PLACE DECIMAL: $\pm 0.005$<br>FOUR PLACE DECIMAL: $\pm 0.0005$<br>MILLED SURFACES: $\sqrt{125}$<br>CONCENTRICITY: $0.0025$ T.I.R. | STANDARD TOLERANCES,<br>UNLESS OTHERWISE SPECIFIED<br>DIMENSIONS ARE IN INCHES [mm]<br>ANGULAR MACHINED: $\pm 1.0^\circ$<br>FRACTIONAL: $\pm 0.015$<br>TWO PLACE DECIMAL: $\pm 0.010$<br>THREE PLACE DECIMAL: $\pm 0.005$<br>FOUR PLACE DECIMAL: $\pm 0.0005$<br>CONCENTRICITY: $0.0025$ T.I.R. | MATERIAL<br>REF., TYPE 316/316L<br>STAINLESS STEEL<br>HEAT TREAT<br>NONE<br>FINISH<br>NONE | DRAWN     | INITIALS | DATE       | Belden Universal<br><a href="http://www.beldenuniversal.com">www.beldenuniversal.com</a><br>TITLE:<br><b>ASSEMBLY,<br/>UNIVERSAL JOINT</b><br>SIZE DWG. NO. REV<br><b>A UJ-SS1750-316x00</b> |
|  |   |  | CHECKED   | RNK      | 03/09/2022 |  |
|  |   |  | ENG APPR. | RNK      | 03/09/2022 |  |
|  |   |  | MFG APPR. |          |            |  |
| PROPRIETARY AND CONFIDENTIAL<br>THE INFORMATION CONTAINED IN THIS DRAWING IS THE SOLE PROPERTY OF BELDEN UNIVERSAL. ANY REPRODUCTION IN PART OR AS A WHOLE WITHOUT THE WRITTEN PERMISSION OF BELDEN UNIVERSAL IS PROHIBITED.   |   |  | COMMENTS: |          |            | SCALE: 1.5:1   WT (Lbs): 2.969   SHEET 1 OF 2  |