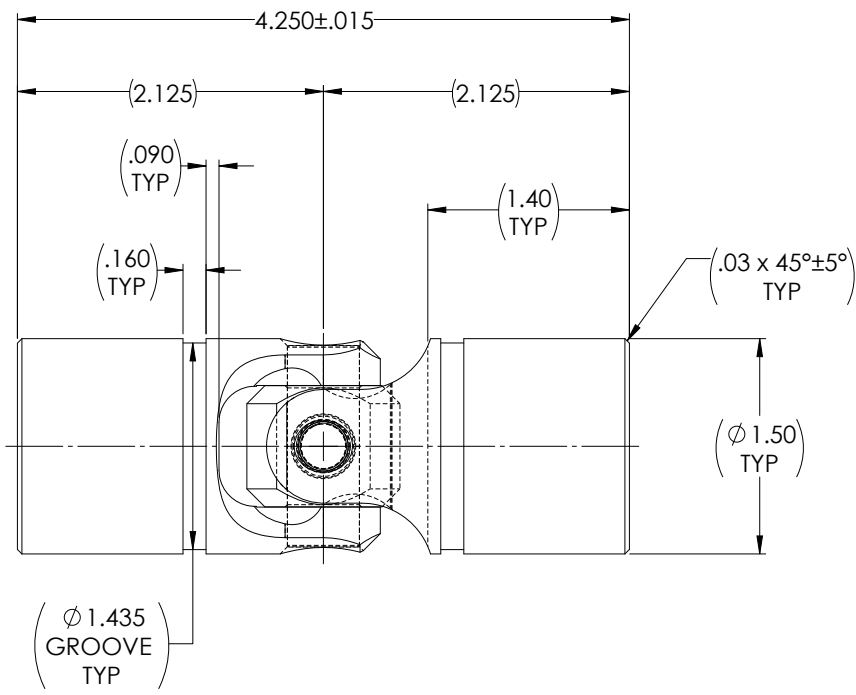
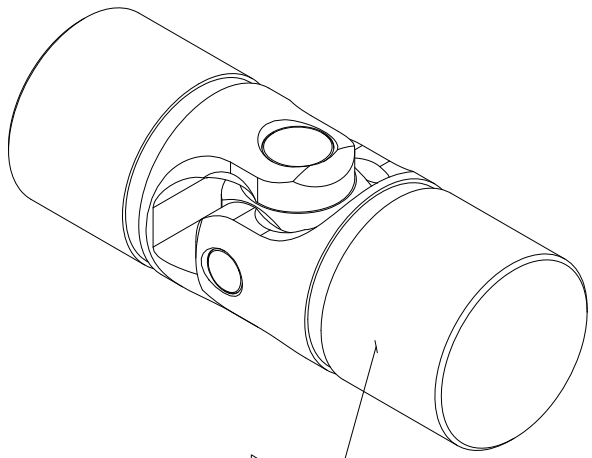


APPROVED

REVISIONS				
ZONE	REV.	DESCRIPTION	DATE	APPROVED

FOR REFERENCE ONLY



NOTE(s), UNLESS OTHERWISE SPECIFIED.

1 MARK ASSEMBLY w/ "BELDEN" LOGO, PART NUMBER, REVISION LEVEL, DATE OF MANUFACTURE (MO/YR) & BELDEN JOB NUMBER.

(2) LUBRICATE U-JOINT w/ LUBRIPLATE # 1200-2, NLGI GRADE 2, AW/EP, LITHIUM GREASE OR EQUIVALENT.

(3) REF., MATERIAL: TYPE 316/316L STAINLESS STEEL.

(4) MAXIMUM OPERATING ANGLE: 45° .

DO NOT SCALE DRAWING

UNLESS OTHERWISE SPECIFIED CHAMFER ALL HOLES BREAK ALL SHARP CORNERS DE-BURR ALL FEATURES TURNED SURFACES: $\sqrt{32}$ MILLED SURFACES: $\sqrt{125}$ PROPRIETARY AND CONFIDENTIAL THE INFORMATION CONTAINED IN THIS DRAWING IS THE SOLE PROPERTY OF BELDEN UNIVERSAL. ANY REPRODUCTION IN PART OR AS A WHOLE WITHOUT THE WRITTEN PERMISSION OF BELDEN UNIVERSAL IS PROHIBITED.	STANDARD TOLERANCES, UNLESS OTHERWISE SPECIFIED DIMENSIONS ARE IN INCHES [mm] ANGULAR MACHINED: $\pm 1.0^\circ$ FRACTIONAL: $\pm .015$ TWO PLACE DECIMAL: $\pm .010$ THREE PLACE DECIMAL: $\pm .005$ FOUR PLACE DECIMAL: $\pm .0005$ CONCENTRICITY: $.0025$ TLR.	MATERIAL: STAINLESS STEEL HEAT TREAT: NONE FINISH: NONE	DRAWN: JP CHECKED: RNK ENG APPR: RNK MFG APPR: QC APPR:	INITIALS: JP DATE: 26SEP24 09/30/2024 09/30/2024	Belden Universal www.beldenuniversal.com TITLE: ASSEMBLY, UNIVERSAL JOINT SIZE: DWG. NO. UJ-SS1500-316x00 SCALE: 3:2 WT (Lbs): 1.881 SHEET 1 OF 2
	ALL HOLES TO BE LOCATED ON CENTERLINE (C) WITHIN .005" TLR. INTERPRET GEOMETRIC TOLERANCES I.A.W. ASME Y14.5				
	COMMENTS:				
	COMMENTS:				