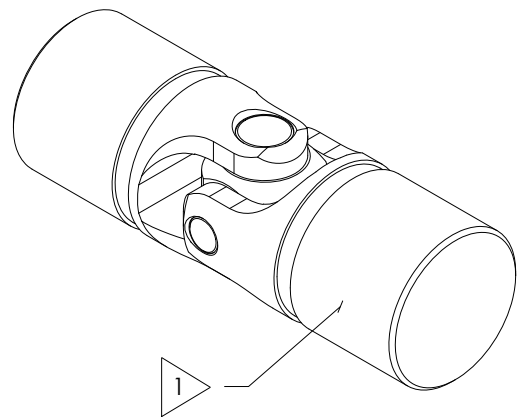


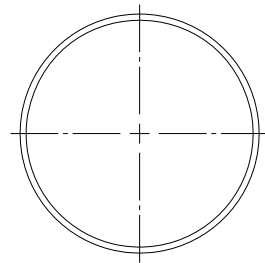
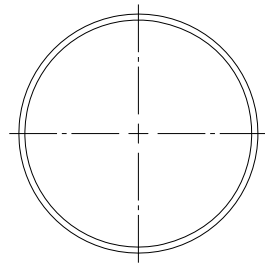
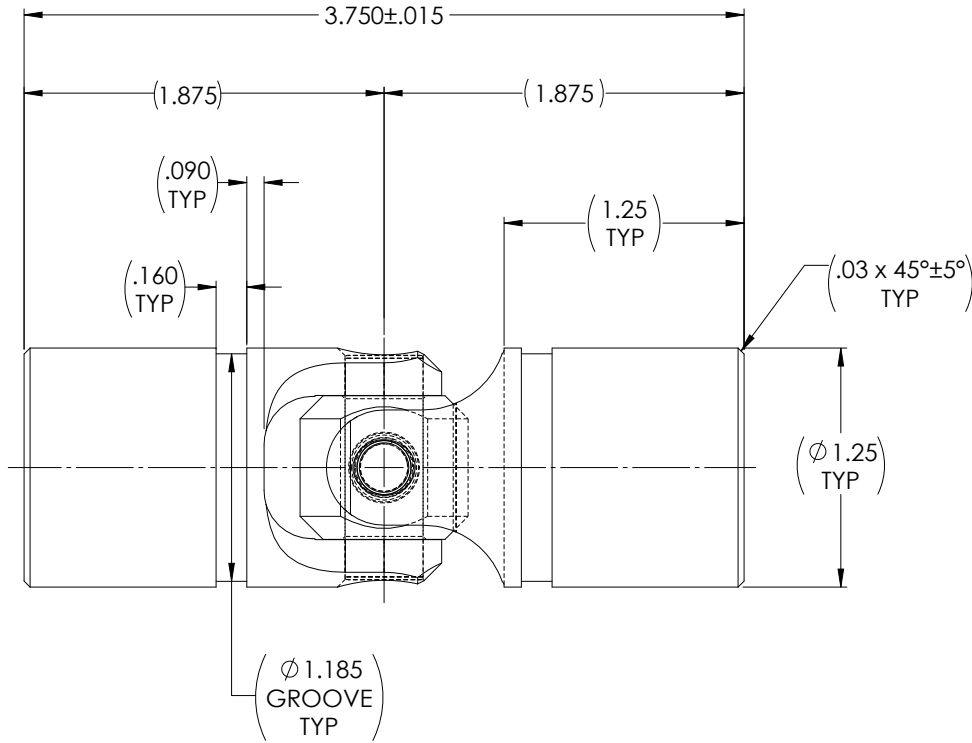
# APPROVED

REVISIONS				
ZONE	REV.	DESCRIPTION	DATE	APPROVED

## FOR REFERENCE ONLY



SCALE 1.5 : 1



NOTE(s), UNLESS OTHERWISE SPECIFIED.

**1** MARK ASSEMBLY w/ "BELDEN" LOGO, PART NUMBER, REVISION LEVEL, DATE OF MANUFACTURE (MO/YR) & BELDEN JOB NUMBER.

**(2)** LUBRICATE U-JOINT w/ LUBRIPLATE # 1200-2, NLGI GRADE 2, AW/EP, LITHIUM GREASE OR EQUIVALENT.

**(3)** REF., MATERIAL: TYPE 316/316L STAINLESS STEEL.

**(4)** MAXIMUM OPERATING ANGLE: 45°.

DO NOT SCALE DRAWING

UNLESS OTHERWISE SPECIFIED CHAMFER ALL HOLES BREAK ALL SHARP CORNERS DE-BURR ALL FEATURES TURNED SURFACES: $\sqrt{32}$ MILLED SURFACES: $\sqrt{125}$ <b>PROPRIETARY AND CONFIDENTIAL</b> THE INFORMATION CONTAINED IN THIS DRAWING IS THE SOLE PROPERTY OF BELDEN UNIVERSAL. ANY REPRODUCTION IN PART OR AS A WHOLE WITHOUT THE WRITTEN PERMISSION OF BELDEN UNIVERSAL IS PROHIBITED.	STANDARD TOLERANCES, UNLESS OTHERWISE SPECIFIED DIMENSIONS ARE IN INCHES [mm] ANGULAR MACHINED: $\pm 1.0^\circ$ FRACTIONAL: $\pm .015$ TWO PLACE DECIMAL: $\pm .010$ THREE PLACE DECIMAL: $\pm .005$ FOUR PLACE DECIMAL: $\pm .0005$ CONCENTRICITY: $\pm .0025$ T.I.R.	MATERIAL: STAINLESS STEEL HEAT TREAT: NONE FINISH: NONE	DRAWN: JP CHECKED: RNK ENG APPR: RNK MFG APPR: QC APPR: COMMENTS:	INITIALS: JP DATE: 24SEP24 09/25/2024 09/25/2024	Belden Universal <a href="http://www.beldenuniversal.com">www.beldenuniversal.com</a> TITLE: <b>ASSEMBLY, UNIVERSAL JOINT</b>
	SIZE DWG. NO. REV <b>A</b> UJ-SS1250-316x00				SCALE: 2:1 WT (Lbs): 1.133 SHEET 1 OF 2