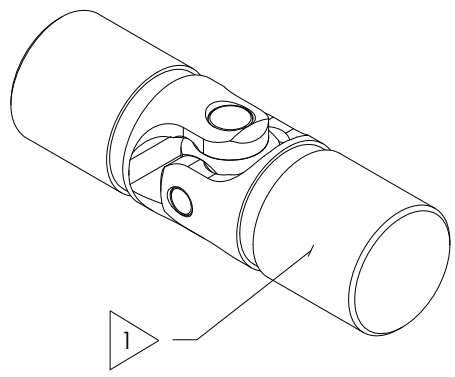


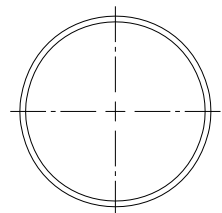
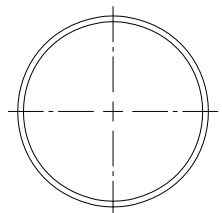
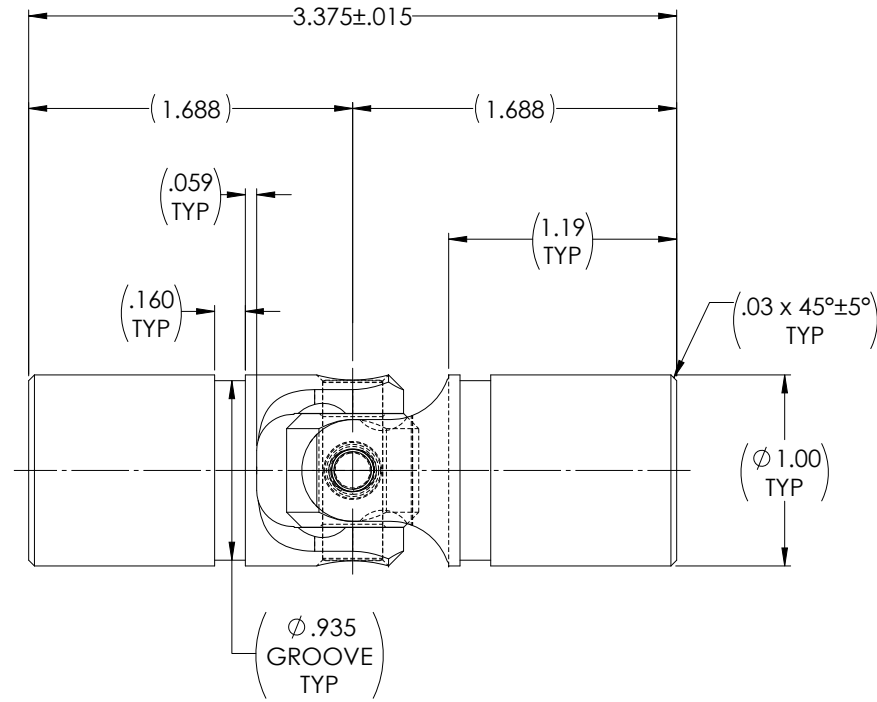
APPROVED

REVISIONS				
ZONE	REV.	DESCRIPTION	DATE	APPROVED

FOR REFERENCE ONLY



SCALE 1.5 : 1



NOTE(s), UNLESS OTHERWISE SPECIFIED.

1 MARK ASSEMBLY w/ "BELDEN" LOGO, PART NUMBER, REVISION LEVEL, DATE OF MANUFACTURE (MO/YR) & BELDEN JOB No.

(2) LUBRICATE U-JOINT w/ LUBRIPLATE # 1200-2, NLGI GRADE 2, AW/EP, LITHIUM GREASE OR EQUIVALENT.

(3) REF., MATERIAL: TYPE 316/316L STAINLESS STEEL.

(4) MAXIMUM OPERATING ANGLE: 45°.

DO NOT SCALE DRAWING

UNLESS OTHERWISE SPECIFIED CHAMFER ALL HOLES BREAK ALL SHARP CORNERS DE-BURR ALL FEATURES TURNED SURFACES: $\sqrt{63}$ MILLED SURFACES: $\sqrt{125}$ PROPRIETARY AND CONFIDENTIAL THE INFORMATION CONTAINED IN THIS DRAWING IS THE SOLE PROPERTY OF BELDEN UNIVERSAL. ANY REPRODUCTION IN PART OR AS A WHOLE WITHOUT THE WRITTEN PERMISSION OF BELDEN UNIVERSAL IS PROHIBITED.	STANDARD TOLERANCES, UNLESS OTHERWISE SPECIFIED DIMENSIONS ARE IN INCHES (mm)	MATERIAL REF. TYPE 316/316L STAINLESS STEEL	HEAT TREAT NONE	FINISH NONE	INITIALS DRAWN: JP CHECKED: RNK ENG APPR: RNK MFG APPR: QC APPR:	DATE 20SEP24 09/23/2024 09/23/2024	TITLE: ASSEMBLY, UNIVERSAL JOINT	
	ANGULAR MACHINED: ±1.0° FRACTIONAL: ±.015" TWO PLACE DECIMAL: ±.010" THREE PLACE DECIMAL: ±.005" FOUR PLACE DECIMAL: ±.0005" CONCENTRICITY: .0005" T.I.R.	ALL HOLES TO BE LOCATED ON CENTERLINE (±) WITHIN .005" T.I.R. INTERPRET GEOMETRIC TOLERANCES I.A.W. ASME Y14.5				COMMENTS:	SIZE DWG. NO. A UJ-SS1000-316x00	REV
							SCALE: 2:1	WT (Lbs): 0.666
							SHEET 1 OF 2	SHEET 1 OF 2