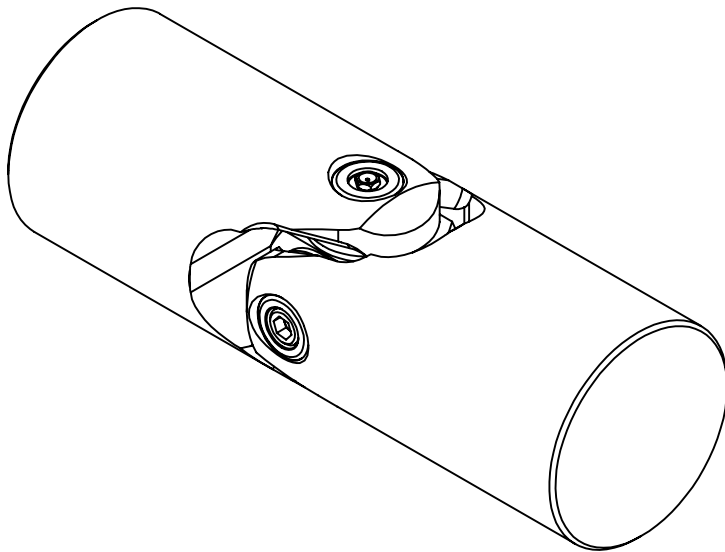
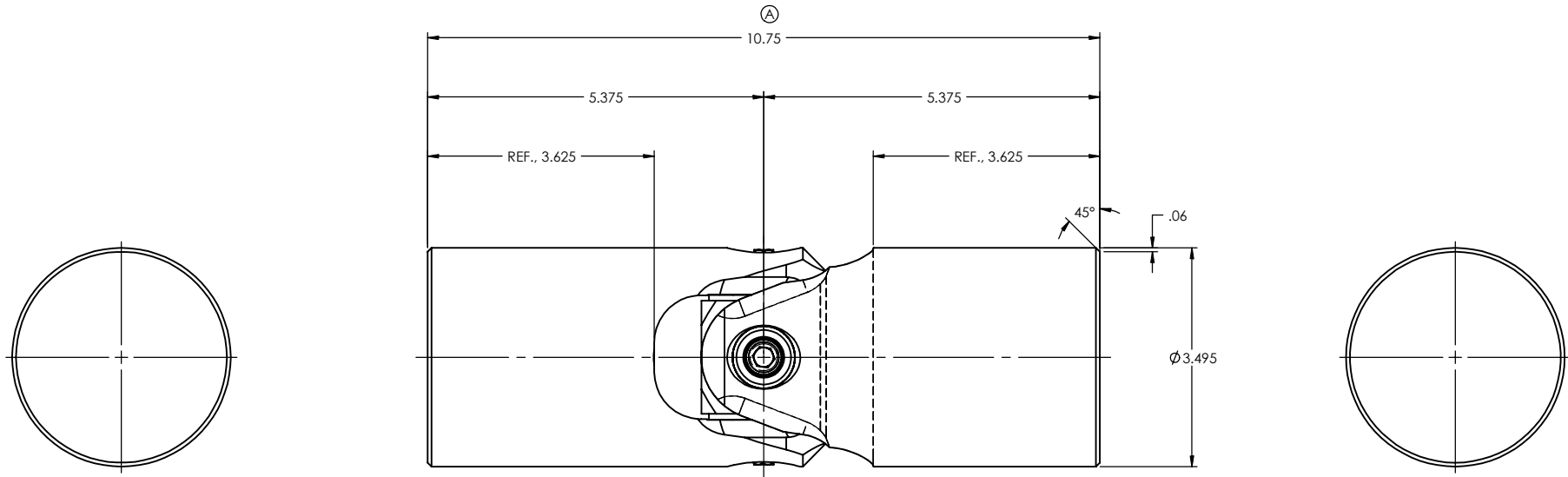


REVISIONS				
ZONE	REV.	DESCRIPTION	DATE	APPROVED

INFORMATION IN THIS DRAWING
PROVIDED FOR REFERENCE ONLY



NOTE(S), UNLESS OTHERWISE SPECIFIED.

- Ⓑ (1) MARK ASSEMBLY w/ "BELDEN" LOGO, PART NUMBER, REVISION LEVEL (IF ANY), DATE OF MANUFACTURE, AND BELDEN JOB NUMBER.
- ⒶⒷ (2) TORQUE 3/8-24 SOCKET HEAD CAP SCREW TO 35 FT-LBS.
- (3) LUBRICATE UNIVERSAL JOINT w/ LUBRIPLATE PRODUCT No. 3000, MOLY-LITHIUM, AW/EP, NLGI GRADE 2 GREASE.
- (4) REFERENCE, MAXIMUM OPERATING ANGLE: 25°.
- (5) REFERENCE, MAXIMUM BREAKING (ULTIMATE) TORQUE: 100,000 FT-LBS (estimated). TORQUE RATING @ 3° OPERATING ANGLE AND 1,000 RPM: 20,000 FT-LBS.

BREAK ALL SHARP CORNERS AND DE-BURR UNLESS OTHERWISE SPECIFIED.	UNLESS OTHERWISE SPECIFIED:		NAME	DATE	BELDEN INCORPORATED www.beldenuniversal.com
	DIMENSIONS ARE IN INCHES TOLERANCES:		DRAWN	RNK	
PROPRIETARY AND CONFIDENTIAL THE INFORMATION CONTAINED IN THIS DRAWING IS THE SOLE PROPERTY OF BELDEN INCORPORATED. ANY REPRODUCTION IN PART OR AS A WHOLE WITHOUT THE WRITTEN PERMISSION OF BELDEN INCORPORATED IS PROHIBITED.	FRACTIONAL: ± 1/32"		CHECKED		TITLE: ASSEMBLY, UNIVERSAL JOINT
	ANGULAR MACHINED: ± 0.5°		ENG APPR.		
	TWO PLACE DECIMAL: ± 0.10		MFG APPR.		
	THREE PLACE DECIMAL: ± 0.05		D.A.		
FOUR PLACE DECIMAL: ± 0.005		COMMENTS:			SIZE DWG. NO. REV C UJ-LV3500 C
INTERPRET GEOMETRIC TOLERANCES I.A.W. ANSI Y14.5M-1992		MATERIAL			SCALE: 1.5:1 WT (Lbs): 25.524 SHEET 1 OF 2
SEE B.O.M.		FINISH			
NEXT ASSY USED ON					
APPLICATION		DO NOT SCALE DRAWING			