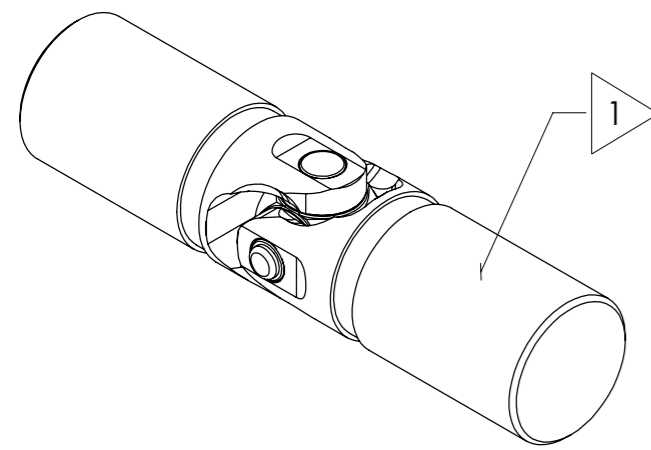


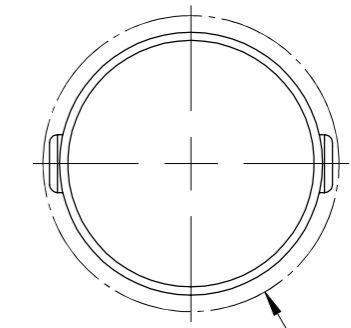
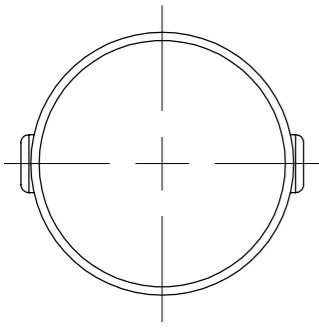
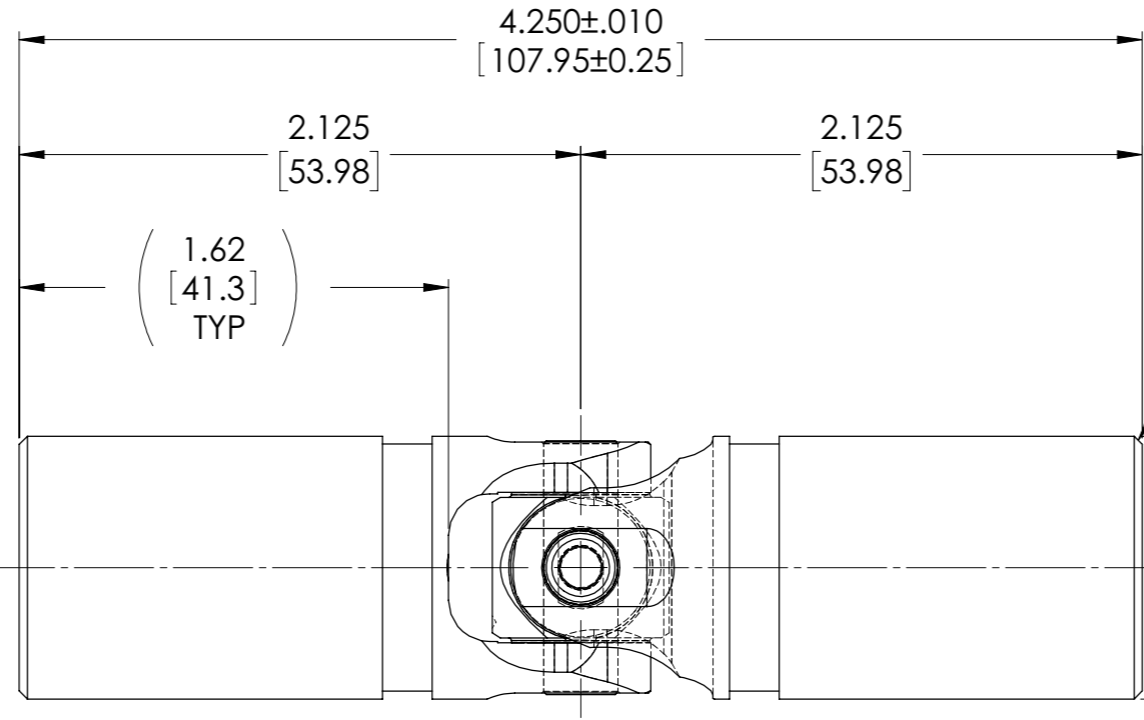
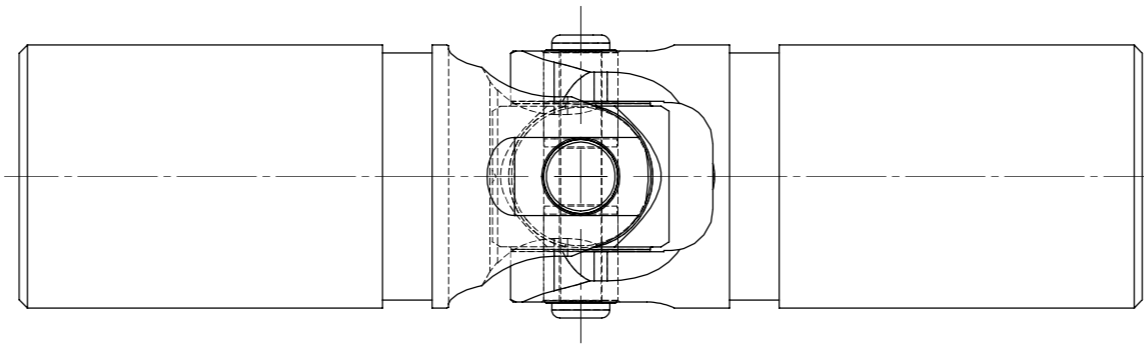
APPROVED

| REVISIONS | | | | |
|-----------|------|-------------|------|----------|
| ZONE | REV. | DESCRIPTION | DATE | APPROVED |
| | | | | |

INFORMATION IN THIS DRAWING
PROVIDED FOR REFERENCE ONLY



SCALE 1.25 : 1



Ø1.12
[28.5]
SWING DIAMETER

NOTE(S), UNLESS OTHERWISE SPECIFIED.

- 1 MARK ASSEMBLY w/ "BELDEN" LOGO, PART NUMBER, REVISION LEVEL, DATE OF MANUFACTURE (MO/YR) & BELDEN JOB NUMBER.
- (2) LUBRICATE UNIVERSAL JOINT w/ LUBRIPLATE No. 3000, NLGI GRADE 2, AW/EP MOLY-LITHIUM GREASE.
- (3) REFERENCE, FINISH: YOKES & RIVET... NONE, BLOCK & PINS... NONE.
- (4) REFERENCE, MAXIMUM OPERATING ANGLE: 30°.

DO NOT SCALE DRAWING

| | | | | | |
|--|---|---|--|---------------------------------------|---|
| UNLESS OTHERWISE SPECIFIED CHAMFER ALL HOLES BREAK ALL SHARP CORNERS DE-BURR ALL FEATURES TURNED SURFACES: \checkmark 63/ MILLED SURFACES: \checkmark 125/ PROPRIETARY AND CONFIDENTIAL THE INFORMATION CONTAINED IN THIS DRAWING IS THE SOLE PROPERTY OF BELDEN UNIVERSAL. ANY REPRODUCTION IN PART OR AS A WHOLE WITHOUT THE WRITTEN PERMISSION OF BELDEN UNIVERSAL IS PROHIBITED. | STANDARD TOLERANCES, UNLESS OTHERWISE SPECIFIED DIMENSIONS ARE IN INCHES [mm] ANGULAR MACHINED: ±1.0° FRACTIONAL: ±.015" TWO PLACE DECIMAL: ±.010" THREE PLACE DECIMAL: ±.005" FOUR PLACE DECIMAL: ±.0005" CONCENTRICITY: .0025" T.I.R. ALL HOLES TO BE LOCATED ON CENTERLINE (⊘) WITHIN .005" T.I.R. INTERPRET GEOMETRIC TOLERANCES I.A.W. ASME Y14.5 | MATERIAL ALLOY STEEL HEAT TREAT SEE DETAILS FINISH SEE NOTE(S) | INITIALS DRAWN RNK CHECKED RNK ENG APPR. RNK MFG APPR. QC APPR. | DATE 25MAR09 25MAR09 25MAR09 | Belden Universal www.beldenuniversal.com TITLE: ASSEMBLY, UNIVERSAL JOINT SIZE A DWG. NO. UJ-LV1000 REV B SCALE: 2:1 WT (Lbs): 0.837 SHEET 1 OF 2 |
| | | | COMMENTS: | | |
| | | | | | |
| | | | | | |