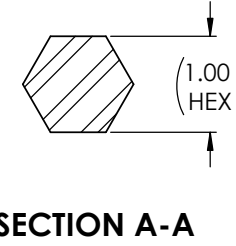
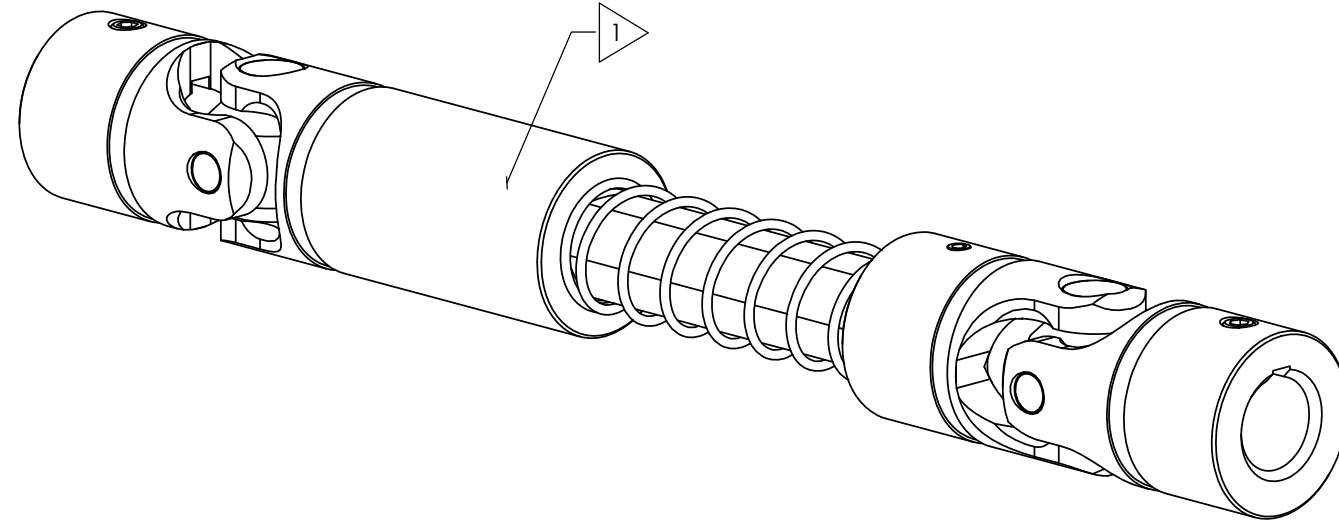


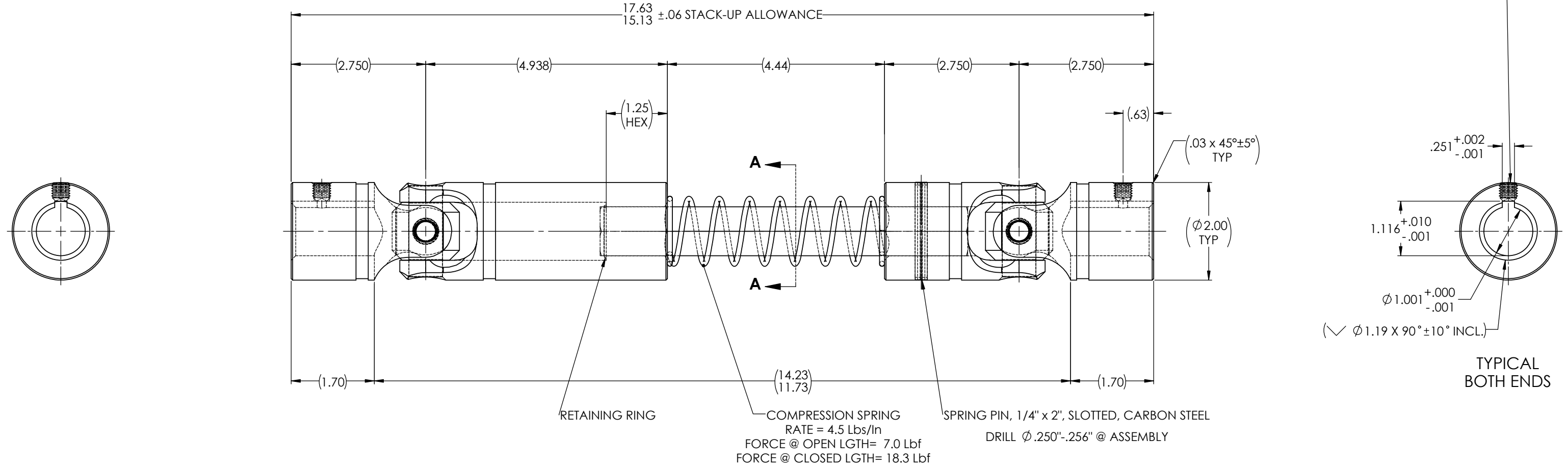
APPROVED

REVISIONS				
ZONE	REV.	DESCRIPTION	DATE	APPROVED

**FOR  
REFERENCE  
ONLY**



SOCKET SET SCREW, 3/8-16 x 3/8", CUP POINT, ALLOY STEEL, 2X



NOTE(s), UNLESS OTHERWISE SPECIFIED.

- 1 MARK ASSEMBLY w/"BELDEN" LOGO, PART NUMBER, REVISION LEVEL, DATE OF MANUFACTURE (MO/YR) & BELDEN JOB No.
- (2) LUBRICATE UNIVERSAL JOINTS & HEX SHAFT CONNECTION w/ LUBRIPLATE # 1200-2, NLGI GRADE 2, AW/EP, LITHIUM GREASE.

DO NOT SCALE DRAWING

UNLESS OTHERWISE SPECIFIED CHAMFER ALL HOLES BREAK ALL SHARP CORNERS DE-BURR ALL FEATURES  TURNED SURFACES: $\checkmark$ 63/ MILLED SURFACES: $\checkmark$ 125/	STANDARD TOLERANCES, UNLESS OTHERWISE SPECIFIED DIMENSIONS ARE IN INCHES (mm)  ANGULAR MACHINED: ±1.0° FRACTIONAL: ±.015" TWO PLACE DECIMAL: ±.010" THREE PLACE DECIMAL: ±.005" FOUR PLACE DECIMAL: ±.0005" CONCENTRICITY: .0025" T.I.R.	MATERIAL:	INITIALS	DATE	Belden Universal www.beldenuniversal.com  <b>ASSEMBLY, DRIVE SHAFT</b>
		ALLOY STEEL	JP	04JAN23	
		HEAT TREAT:	RNK	02/03/2023	
		SEE DETAIL DRAWINGS	RNK	09/05/2023	
PROPRIETARY AND CONFIDENTIAL THE INFORMATION CONTAINED IN THIS DRAWING IS THE SOLE PROPERTY OF BELDEN UNIVERSAL. ANY REPRODUCTION IN PART OR AS A WHOLE WITHOUT THE WRITTEN PERMISSION OF BELDEN UNIVERSAL IS PROHIBITED.	ALL HOLES TO BE LOCATED ON CENTERLINE (Q) WITHIN .005" T.I.R.  INTERPRET GEOMETRIC TOLERANCES I.A.W. ASME Y14.5	FINISH/COATING:	COMMENTS:		SIZE DWG. NO. <b>B</b> TUJ-HD2000x1000K-S
		NONE			SCALE: 1:1 WEIGHT (Lbs): 9.538 SHEET 1 OF 2