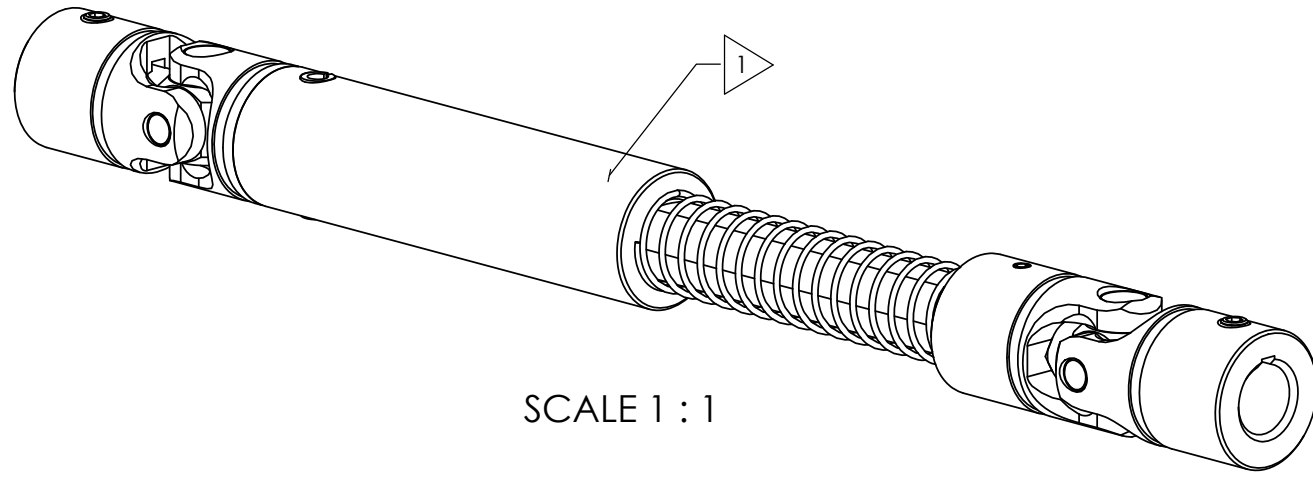
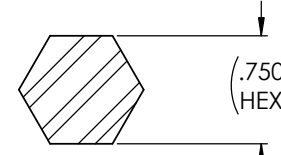


APPROVED

REVISIONS				
ZONE	REV.	DESCRIPTION	DATE	APPROVED



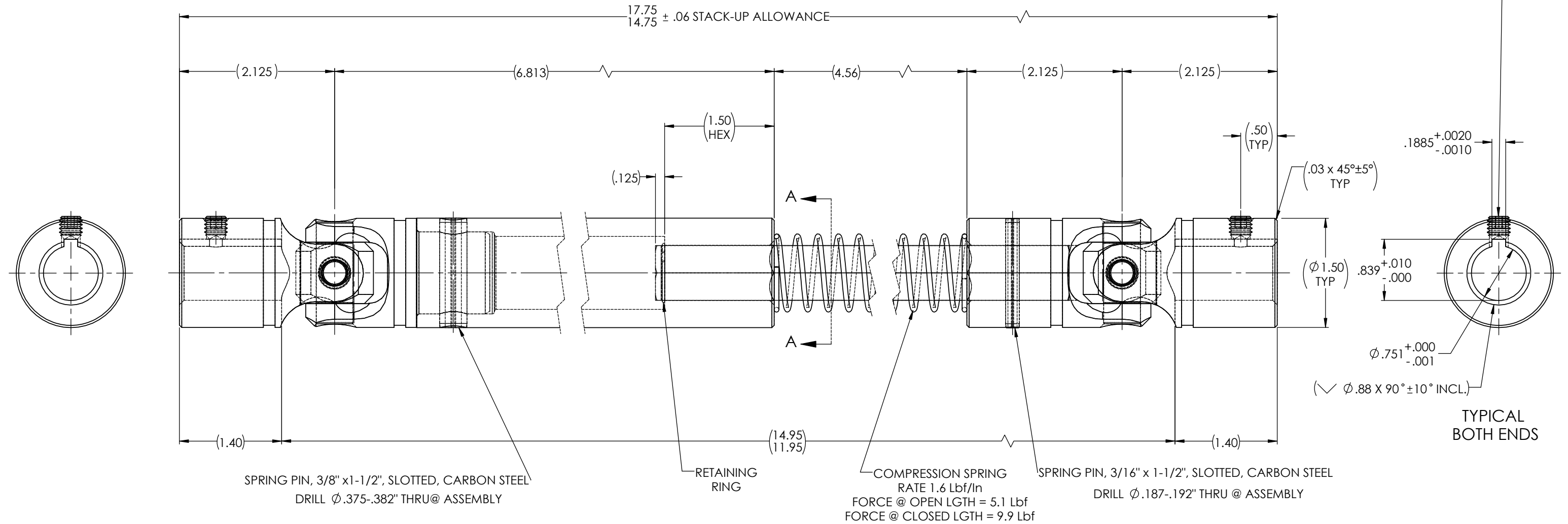
SCALE 1:1



SECTION A-A

**FOR
REFERENCE
ONLY**

SOC. SET SCREW, 5/16-18 x 5/16, CUP POINT, ALLOY STEEL 2X



NOTE(s), UNLESS OTHERWISE SPECIFIED.

1 MARK ASSEMBLY w/"BELDEN" LOGO, PART NUMBER, REVISION LEVEL, DATE OF MANUFACTURE, & BELDEN JOB No.

(2) LUBRICATE UNIVERSAL JOINTS & HEX SHAFT CONNECTION w/ LUBRIPLATE # 1200-2, NLGI GRADE 2, AW/EP, LITHIUM GREASE.

DO NOT SCALE DRAWING

UNLESS OTHERWISE SPECIFIED CHAMFER ALL HOLES BREAK ALL SHARP CORNERS DE-BURR ALL FEATURES	STANDARD TOLERANCES, UNLESS OTHERWISE SPECIFIED DIMENSIONS ARE IN INCHES [mm]	MATERIAL: ALLOY STEEL	INITIALS	DATE	Belden Universal www.beldenuniversal.com
			DRAWN	JP	
TURNED SURFACES: 63/	ANGULAR MACHINED: ±1.0°	HEAT TREAT: SEE DETAIL DRAWING	CHECKED	ENG APPR.	TITLE: ASSEMBLY, DRIVE SHAFT
MILLED SURFACES: 125/	FRACTIONAL: ±.015"		ENG APPR.	RNK	
	TWO PLACE DECIMAL: ±.010"	FINISH/COATING: NONE	MFG APPR.	QUALITY	SIZE DWG. NO.
	THREE PLACE DECIMAL: ±.005"				
	FOUR PLACE DECIMAL: ±.0005"				SCALE: 1.5:1
	CONCENTRICITY: .0025" T.I.R.				WEIGHT (Lbs): 5.528
PROPRIETARY AND CONFIDENTIAL THE INFORMATION CONTAINED IN THIS DRAWING IS THE SOLE PROPERTY OF BELDEN UNIVERSAL. ANY REPRODUCTION IN PART OR AS A WHOLE WITHOUT THE WRITTEN PERMISSION OF BELDEN UNIVERSAL IS PROHIBITED.	ALL HOLES TO BE LOCATED ON CENTERLINE (Q) WITHIN .005" T.I.R. INTERPRET GEOMETRIC TOLERANCES I.A.W. ASME Y14.5				SHEET 1 OF 2