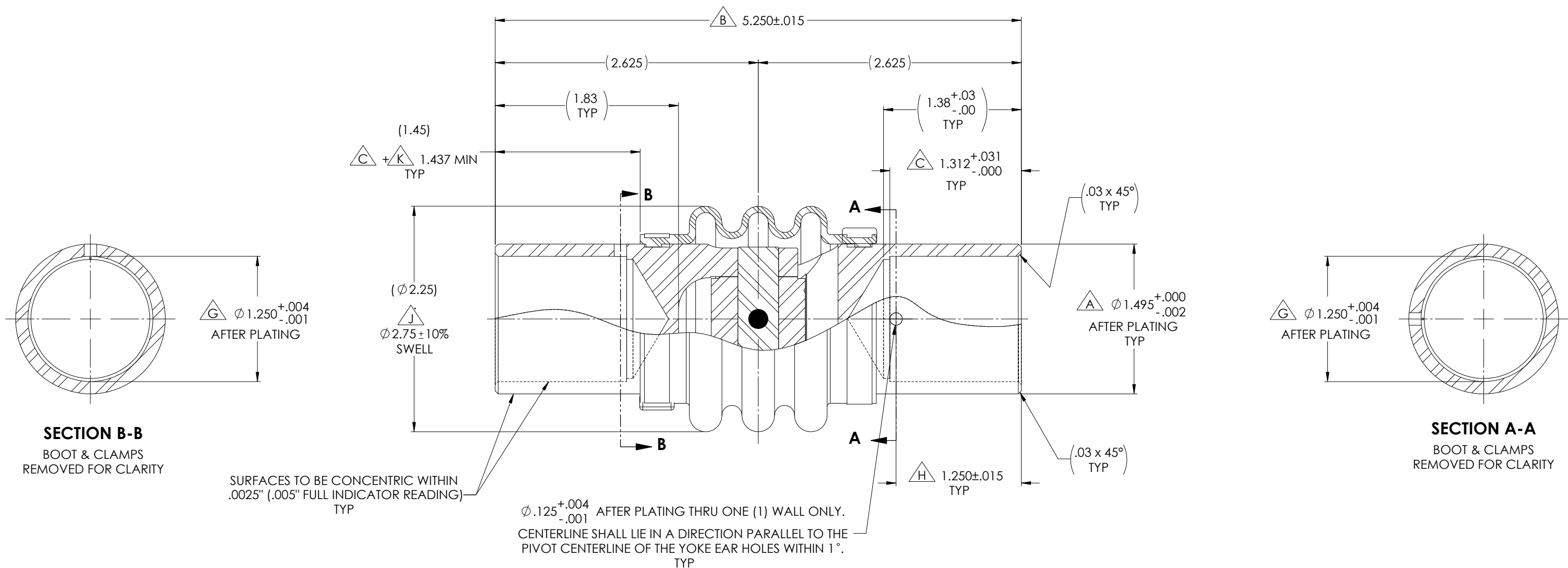


REVISIONS				
ZONE	REV.	DESCRIPTION	DATE	APPROVED

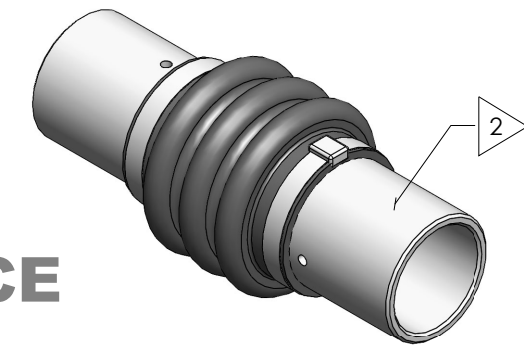


- NOTE(s), UNLESS OTHERWISE SPECIFIED.
- (1) REF., FINISH ALL EXTERNAL STEEL COMPONENTS: CADMIUM PLATE I.A.W. SAE-AMS-QQ-P-416, TYPE II (YELLOW CHROMATE), CLASS 2.
 - (2) IDENTIFICATION: ELECTRO-ETCH or LASER MARK w/ NAME, PART NUMBER, MANUFACTURER CAGE CODE, DATE OF MFR & BELDEN JOB No.

BELDEN
MS20271B24
1R6X2 MO/YR
(JOB No.)

- (3) LUBRICATION: LUBRICANT TO CONSIST OF A UNIFORM MIXTURE OF GREASE CONFORMING TO MIL-PRF-32014 or MIL-PRF-81322 WITH A 6% (±1/2 %) BY WEIGHT ADDITIVE CONFORMING TO SAE-AMS-M-7866 LUBRICANT, MOLYBDENUM DISULFIDE.
- (4) CLOSURE (BOOT): MUST BE RESISTANT TO OZONE CRACKING AND BE ABLE TO RETAIN THE LUBRICANT AT ALL TEMPERATURES BETWEEN -67° F (-55° C) AND +160° F (+71° C) DURING OPERATION.
- (5) ANGULARITY: TO BE OPERABLE TO A MINIMUM ANGLE OF 30°.
- (6) TORSIONAL PLAY (BACKLASH): .20° (±2%) @ 8 IN-LBS (±2%).
- (7) END PLAY: .0027" TOTAL WITH A 5 LB LOAD APPLIED IN BOTH DIRECTIONS WITHOUT LUBRICANT.
- (8) SIDE PLAY: .0055" TOTAL WITH A 5 LB LOAD APPLIED IN BOTH DIRECTIONS WITHOUT LUBRICANT.
- (9) ULTIMATE STATIC TORQUE: 14,500 IN-LBS.
- (10) ULTIMATE TENSILE OR COMPRESSIVE STRENGTH: 9,000 LBS.
- (11) FLAG NOTES **A**, **B**, **C** ... CORRESPOND TO DIMENSIONS AS LABELED ON SPECIFICATION MS20271.

**FOR
REFERENCE
ONLY**



SCALE 1 : 1

DO NOT SCALE DRAWING

UNLESS OTHERWISE SPECIFIED: CHAMFER ALL HOLES BREAK ALL SHARP CORNERS DE-BURR ALL FEATURES	STANDARD TOLERANCES, UNLESS OTHERWISE SPECIFIED DIMENSIONS ARE IN INCHES (mm)	MATERIAL:	ALLOY STEEL	INITIALS	DATE	Belden Universal www.beldenuniversal.com
		HEAT TREAT:	SEE DETAIL DRAWINGS	DRAWN	RNK 21JAN04	
		FINISH/COATING:	CADMIUM PLATED	CHECKED	RNK 21JAN04	
		QUALITY		ENG APPR.	RNK 21JAN04	
PROPRIETARY AND CONFIDENTIAL THE INFORMATION CONTAINED IN THIS DRAWING IS THE SOLE PROPERTY OF BELDEN UNIVERSAL. ANY REPRODUCTION IN PART OR AS A WHOLE WITHOUT THE WRITTEN PERMISSION OF BELDEN UNIVERSAL IS PROHIBITED.	ALL HOLES TO BE LOCATED ON CENTERLINE (Q) WITHIN .005" T.I.R. INTERPRET GEOMETRIC TOLERANCES I.A.W. ASME Y14.5	COMMENTS:		SIZE DWG. NO.		REV
			B MS20271B24		SCALE: 2:1	WEIGHT (Lbs): 1.375